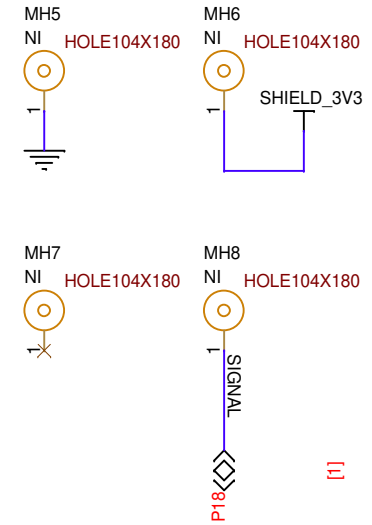
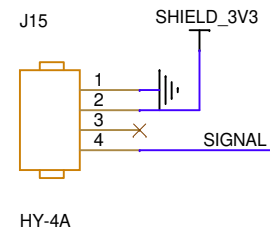
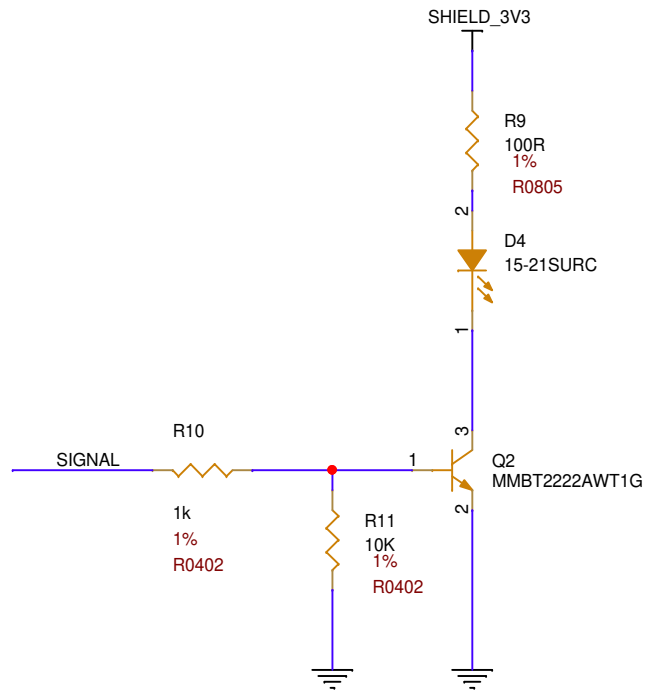

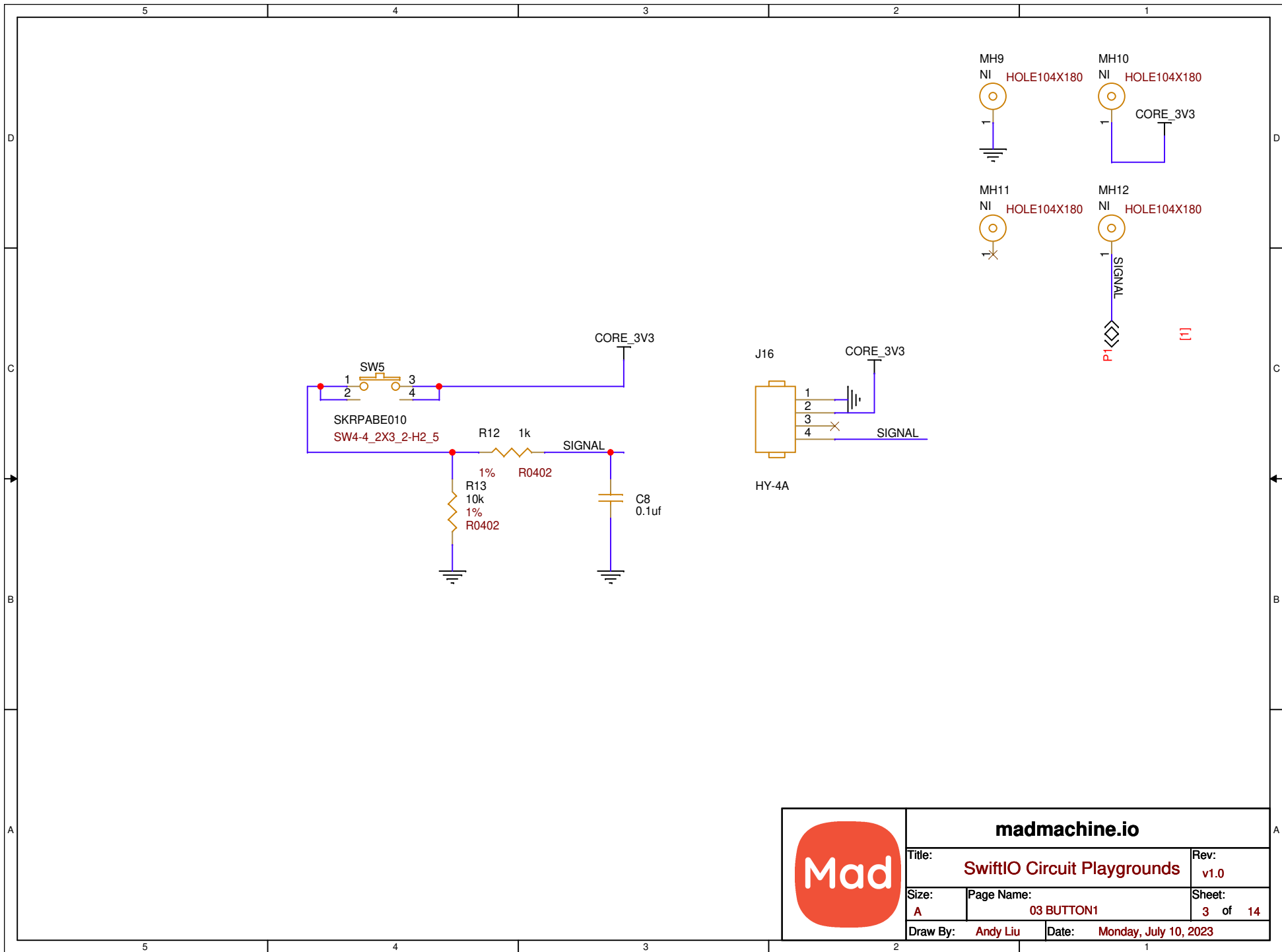



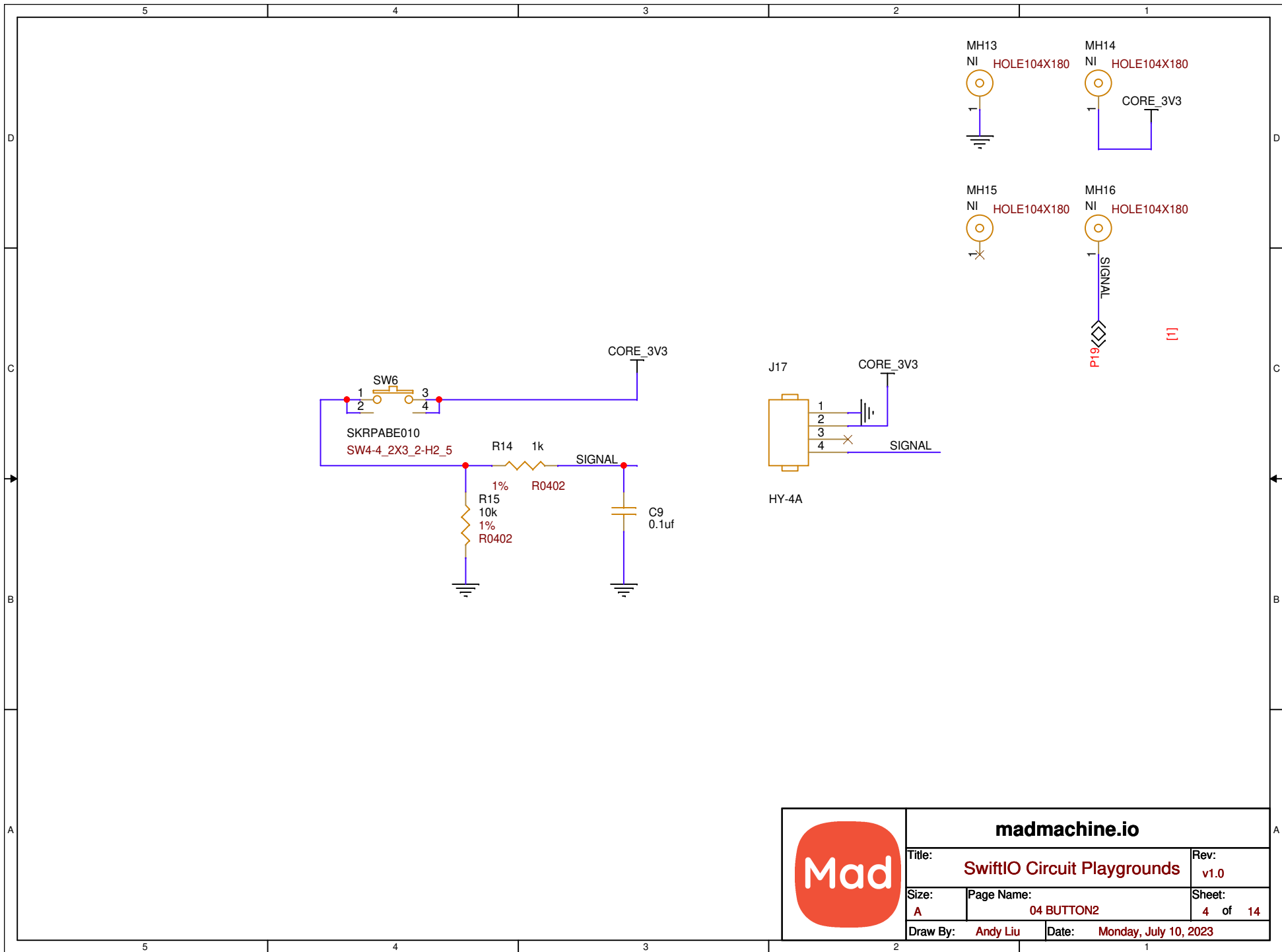
| | | | |
|--|----------------------|-----------------------------|-----------------------------|
| | madmachine.io | | |
| | Title: | SwiftIO Circuit Playgrounds | Rev: v1.0 |
| | Size: | A3 | Page Name: 01 SHIELD |
| | Draw By: | Andy Liu | Date: Monday, July 10, 2023 |
| | | | Sheet: 1 of 14 |




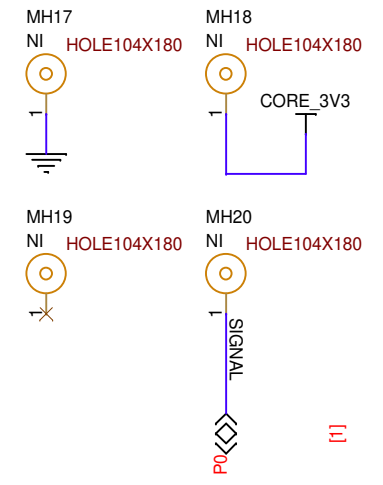
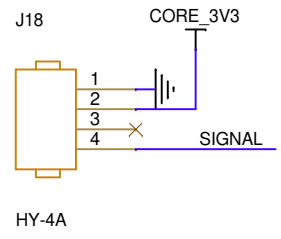
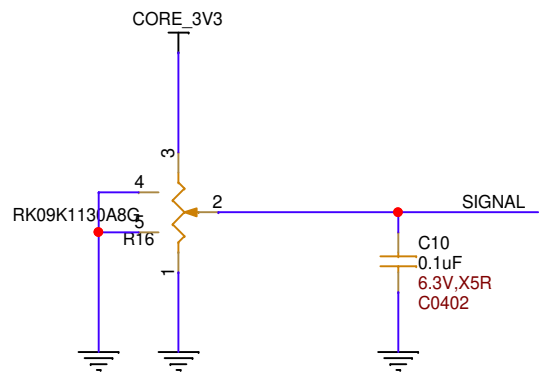
| | | | |
|---|----------------------|-----------------------------|-----------------------|
|  | madmachine.io | | |
| | Title: | SwiftIO Circuit Playgrounds | |
| | Rev: | v1.0 | |
| | Size: | Page Name: | |
| A | 02 PWMLED | Sheet: | |
| Draw By: | Andy Liu | Date: | Monday, July 10, 2023 |
| | | | 2 of 14 |




| | | | |
|---|----------------------|------------------------------------|-------------------|
|  | madmachine.io | | |
| | Title: | SwiftIO Circuit Playgrounds | Rev: v1.0 |
| | Size: A | Page Name: 03 BUTTON1 | Sheet: 3 of 14 |
| | Draw By: Andy Liu | Date: Monday, July 10, 2023 | |

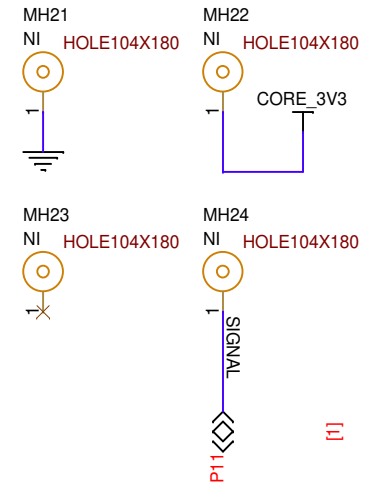
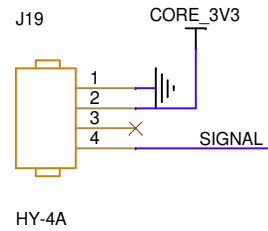
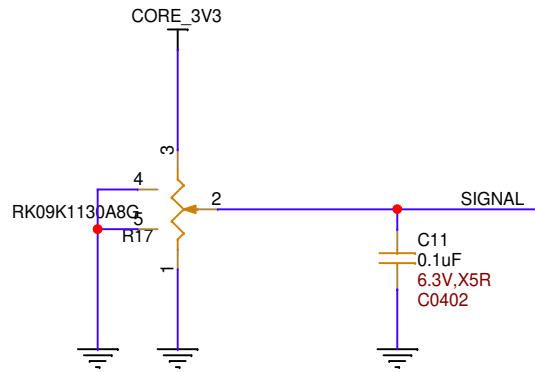


| | | |
|---|------------------------------|------------------------------------|
|  | madmachine.io | |
| | Title: | SwiftIO Circuit Playgrounds |
| | Rev: | v1.0 |
| | Size: | A |
| Page Name: | 04 BUTTON2 | |
| Sheet: | 4 of 14 | |
| Draw By: | Andy Liu | |
| Date: | Monday, July 10, 2023 | |




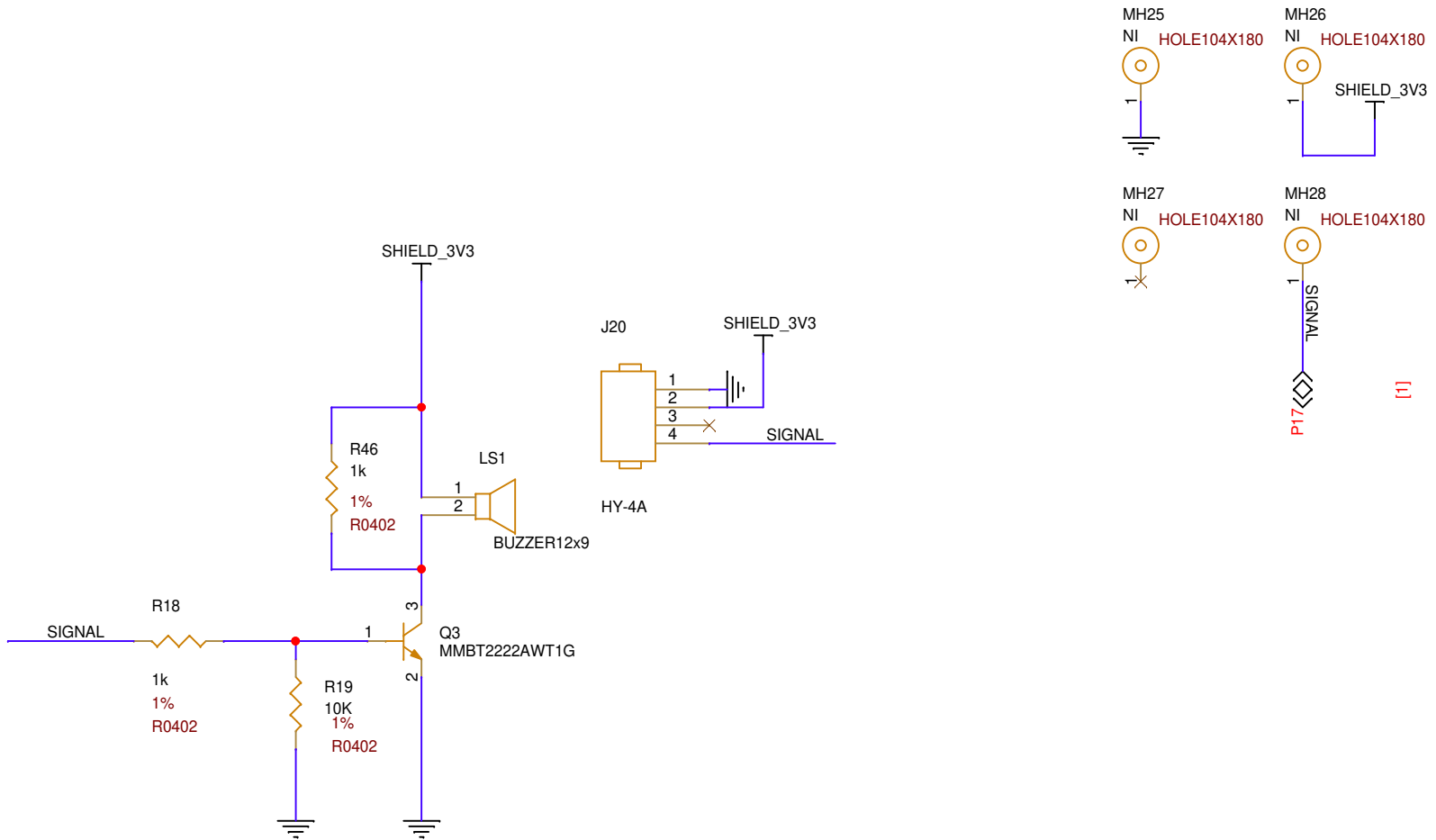
[1]


| | | |
|---|----------------------|-----------------------------|
|  | madmachine.io | |
| | Title: | SwiftIO Circuit Playgrounds |
| | Rev: | v1.0 |
| | Size: | Page Name: |
| A | 05 KNOB1 | Sheet: |
| | | 5 of 14 |
| Draw By: | Andy Liu | Date: |
| | | Monday, July 10, 2023 |

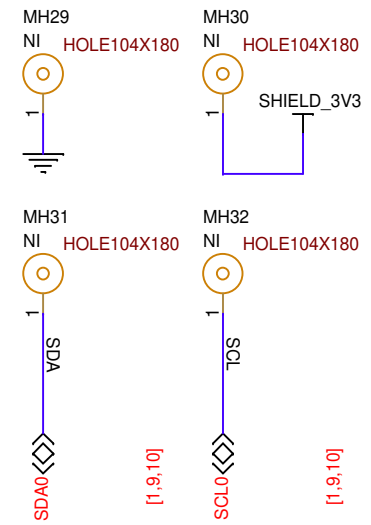
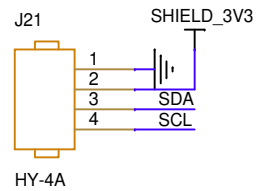
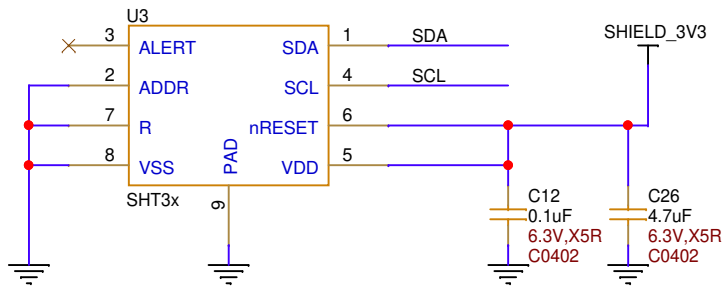



[1]

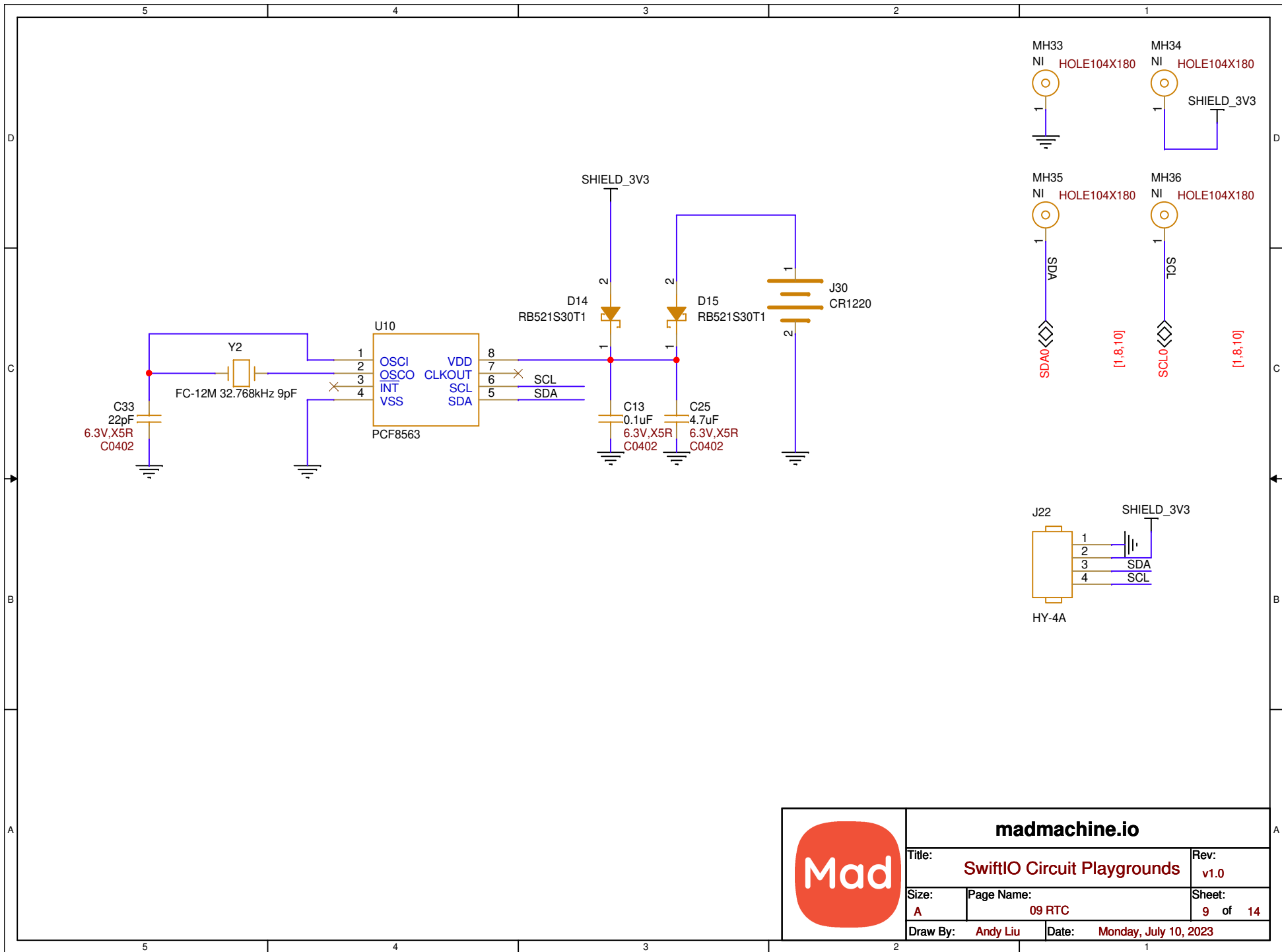
| | | | | | | |
|---|----------------------|-----------------------------|------------|-----------------------|--------|---------|
|  | madmachine.io | | | | | |
| | Title: | SwiftIO Circuit Playgrounds | Rev: | v1.0 | | |
| | Size: | A | Page Name: | 06 KNOB2 | Sheet: | 6 of 14 |
| | Draw By: | Andy Liu | Date: | Monday, July 10, 2023 | | |



| | | | |
|---|---|------------------------------------|-----------------------|
|  | madmachine.io | | |
| | Title: SwiftIO Circuit Playgrounds | | Rev: v1.0 |
| | Size: A | Page Name: 07 BUZZER | Sheet: 7 of 14 |
| | Draw By: Andy Liu | Date: Monday, July 10, 2023 | |

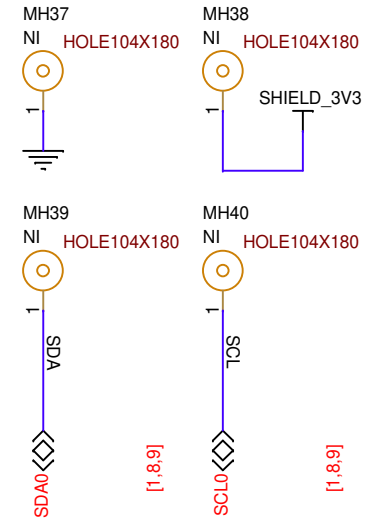
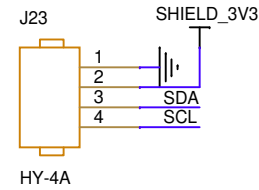
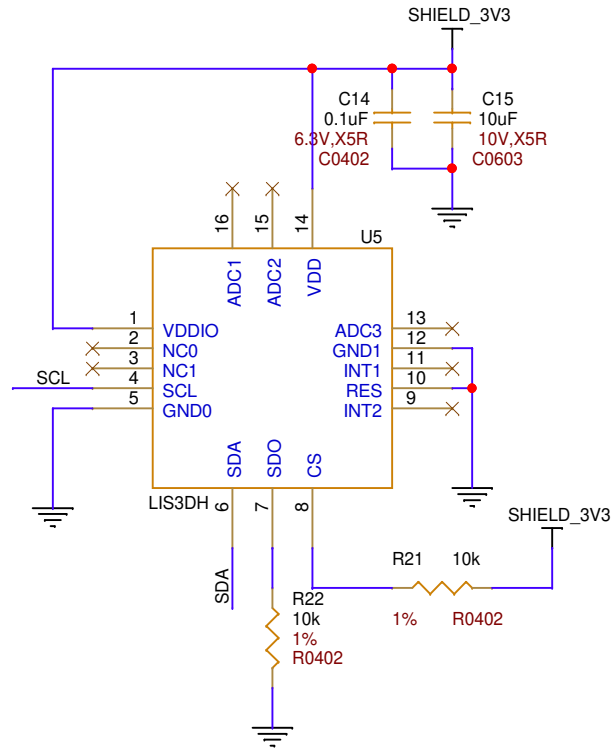



| | | | |
|---|---|------------------------------------|-----------------------|
|  | madmachine.io | | |
| | Title: SwiftIO Circuit Playgrounds | | Rev: v1.0 |
| | Size: A | Page Name: 08 HUMITURE | Sheet: 8 of 14 |
| | Draw By: Andy Liu | Date: Monday, July 10, 2023 | |

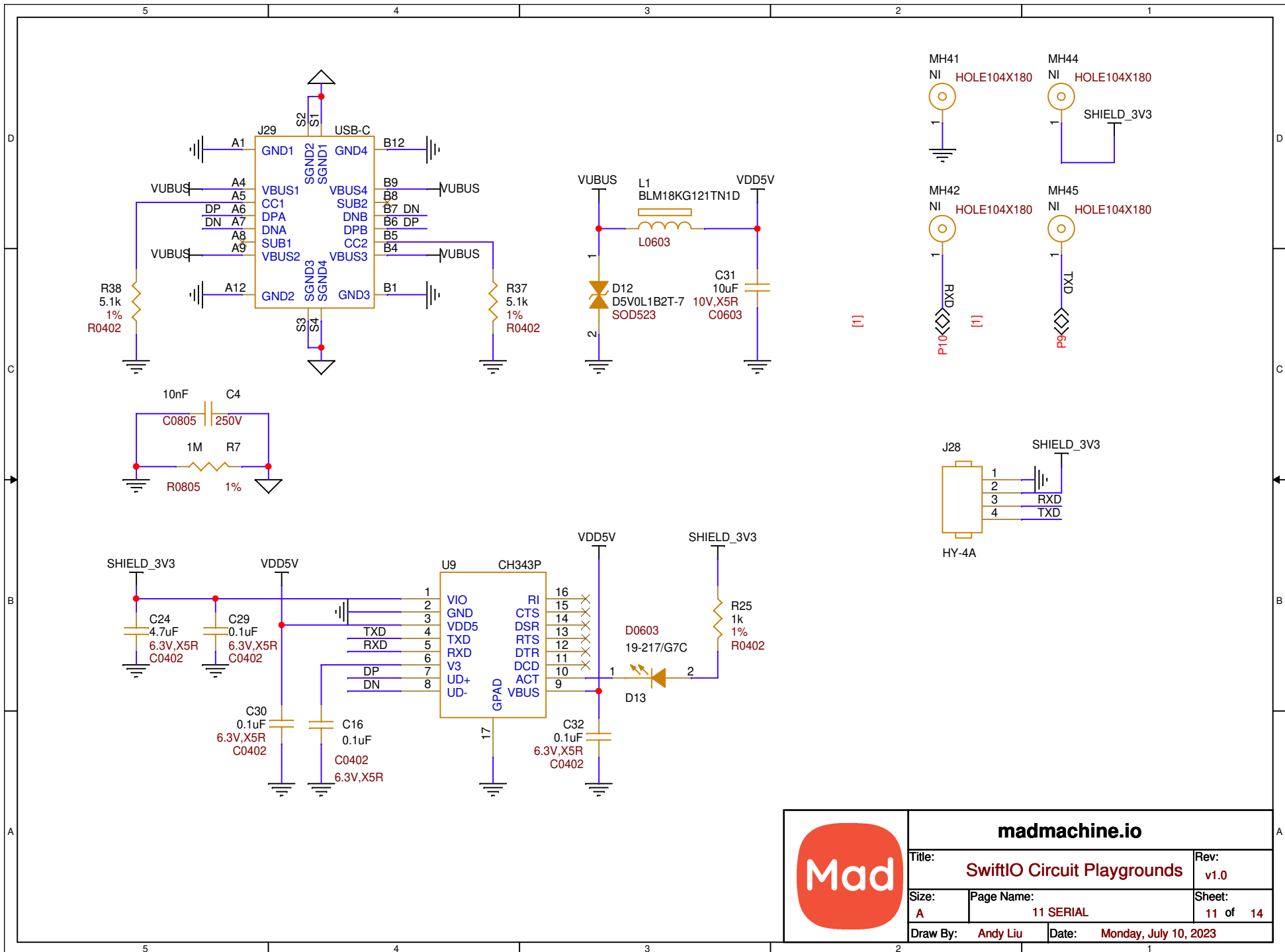



madmachine.io

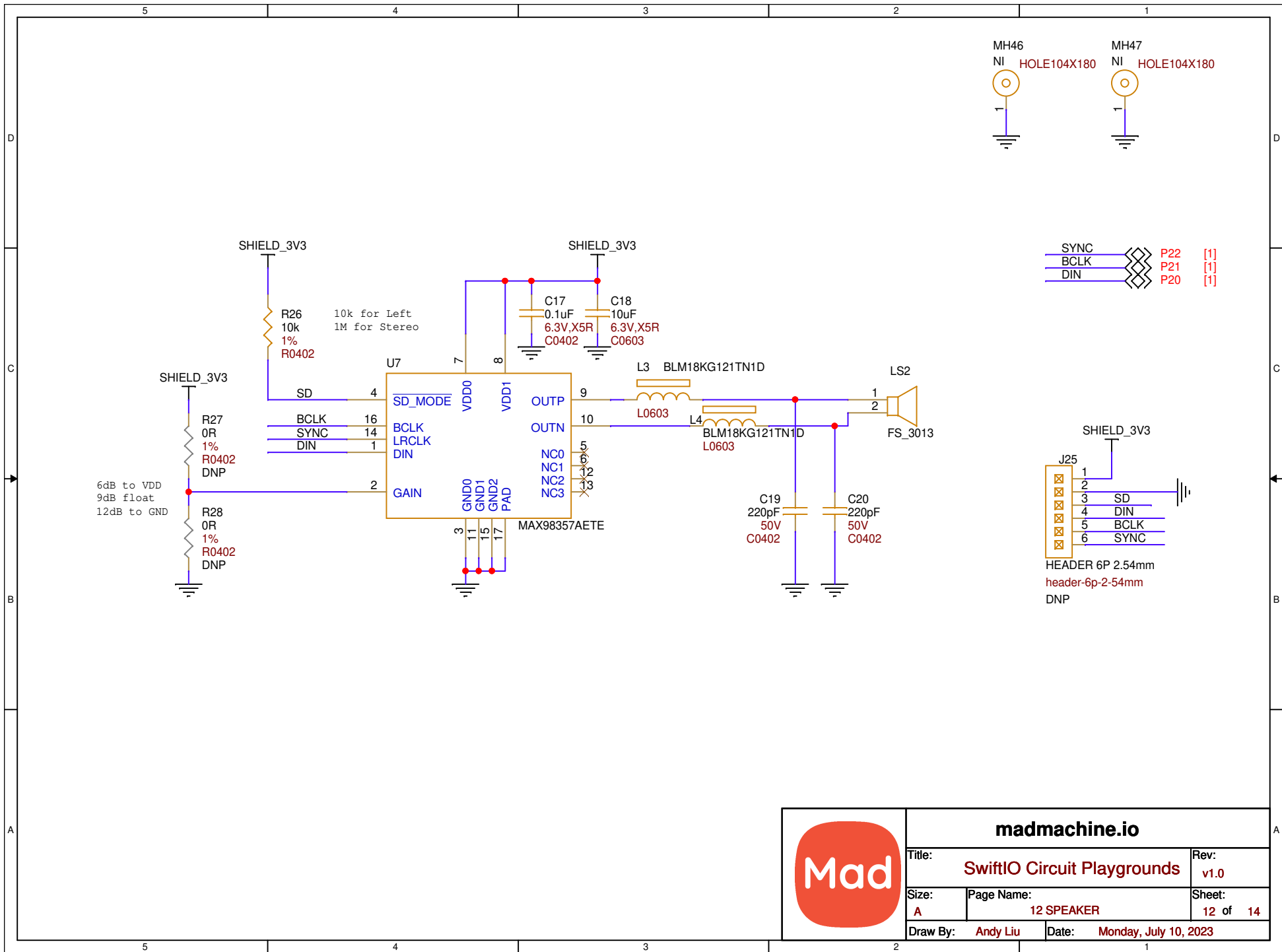
| | | |
|---|------------------------------------|-----------------------|
| Title: SwiftIO Circuit Playgrounds | | Rev: v1.0 |
| Size: A | Page Name: 09 RTC | Sheet: 9 of 14 |
| Draw By: Andy Liu | Date: Monday, July 10, 2023 | |



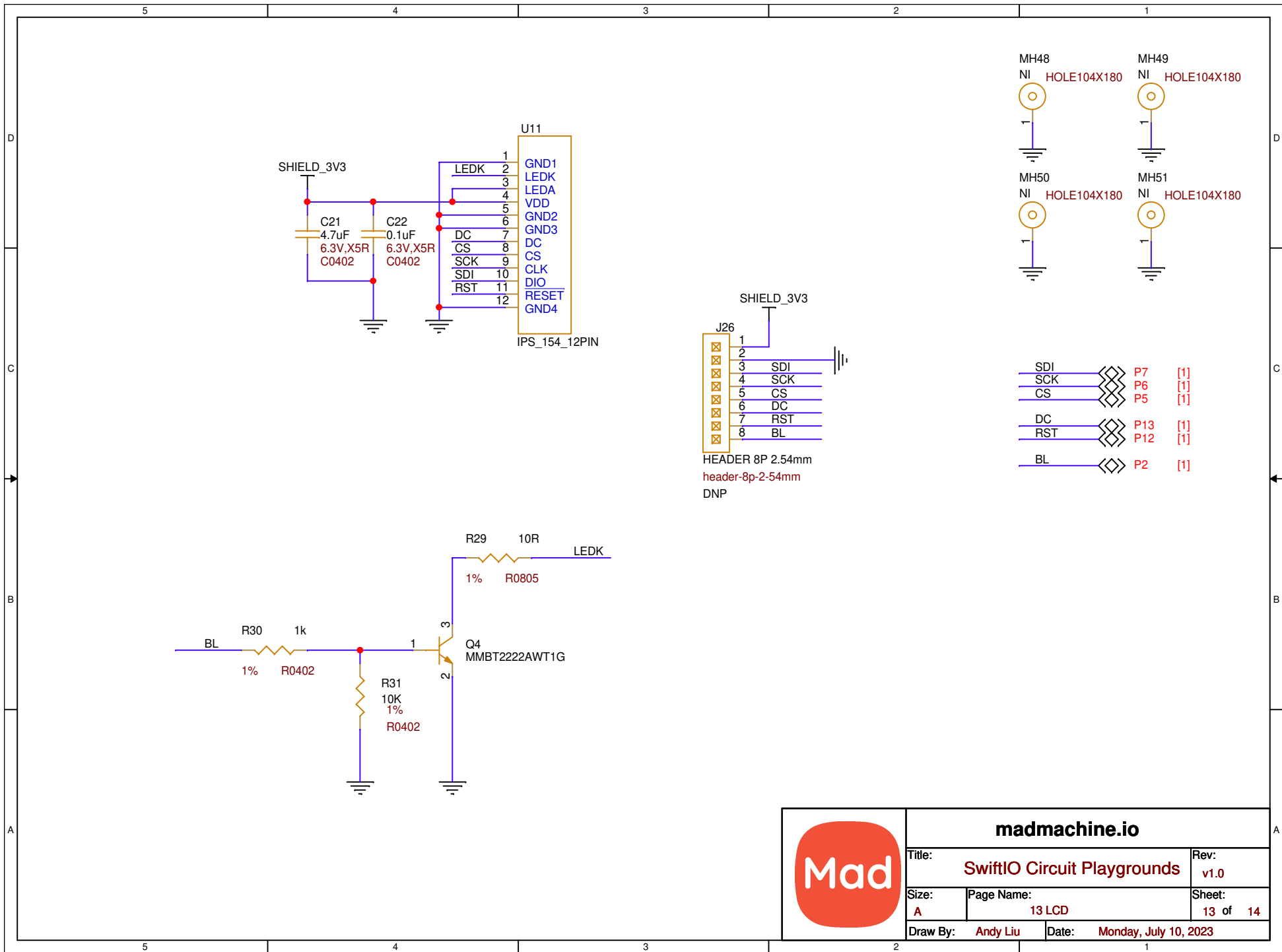
| | | | |
|---|---|------------------------------------|------------------------|
|  | madmachine.io | | |
| | Title: SwiftIO Circuit Playgrounds | | Rev: v1.0 |
| | Size: A | Page Name: 10 ACC | Sheet: 10 of 14 |
| | Draw By: Andy Liu | Date: Monday, July 10, 2023 | |



| | | |
|---|---|------------------------------------|
|  | madmachine.io | |
| | Title: SwiftIO Circuit Playgrounds | |
| | Rev: v1.0 | |
| | Size: A | Page Name: 11 SERIAL |
| Draw By: Andy Liu | | Date: Monday, July 10, 2023 |



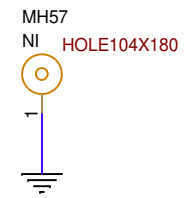
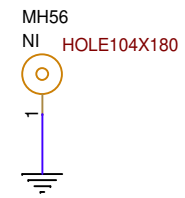
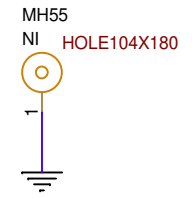
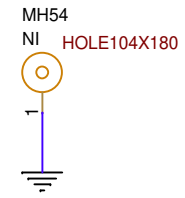
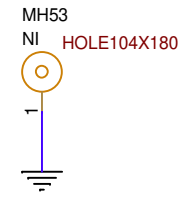
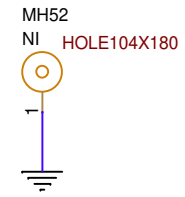
| | | |
|--|---|------------------------------------|
| | madmachine.io | |
| | Title: SwiftIO Circuit Playgrounds | Rev: v1.0 |
| | Size: A | Page Name: 12 SPEAKER |
| | Draw By: Andy Liu | Date: Monday, July 10, 2023 |
| | Sheet: 12 of 14 | |



madmachine.io

| | | |
|---|------------------------------------|------------------------|
| Title: SwiftIO Circuit Playgrounds | | Rev: v1.0 |
| Size: A | Page Name: 13 LCD | Sheet: 13 of 14 |
| Draw By: Andy Liu | Date: Monday, July 10, 2023 | |

Hole



| | | |
|--|---|------------------------------------|
| | madmachine.io | |
| | Title: SwiftIO Circuit Playgrounds | Rev: v1.0 |
| | Size: A | Page Name: 14 FRAME |
| | Draw By: Andy Liu | Date: Monday, July 10, 2023 |
| | Sheet: 14 of 14 | |