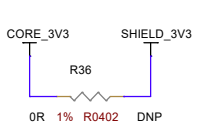
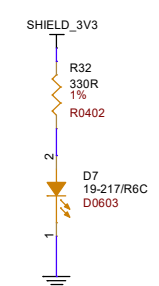
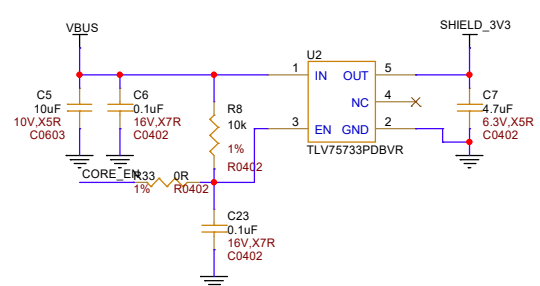
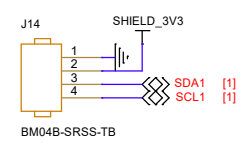
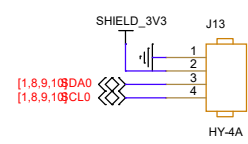
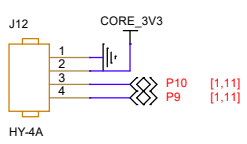
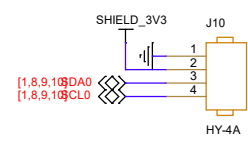
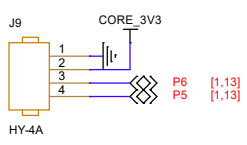
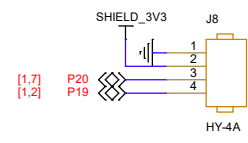
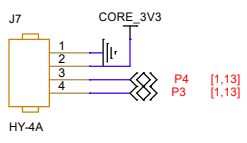
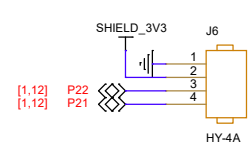
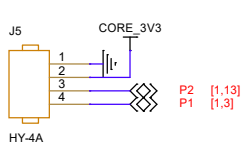
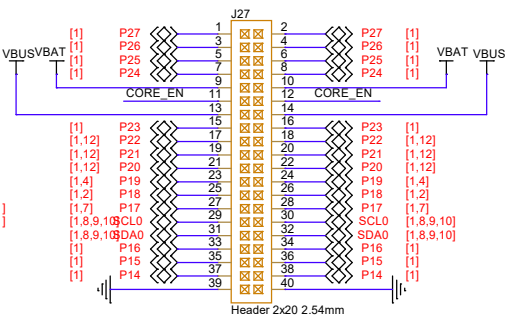
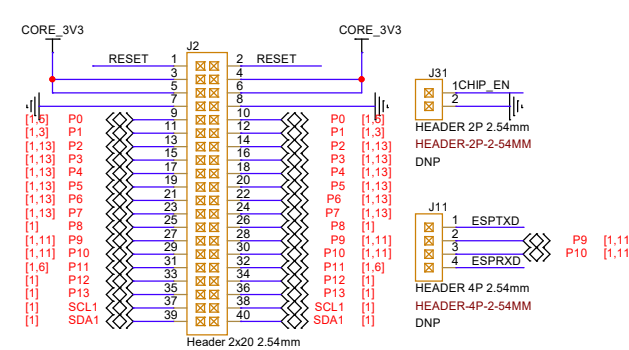
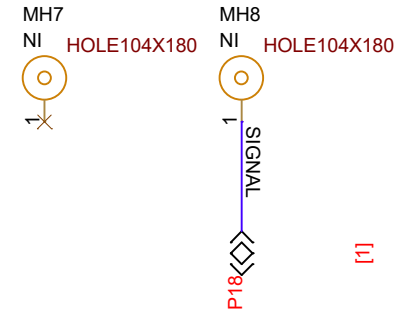
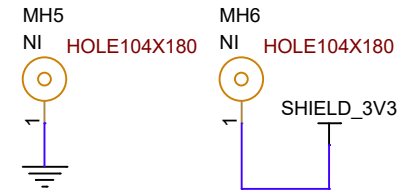
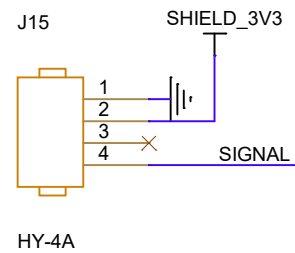
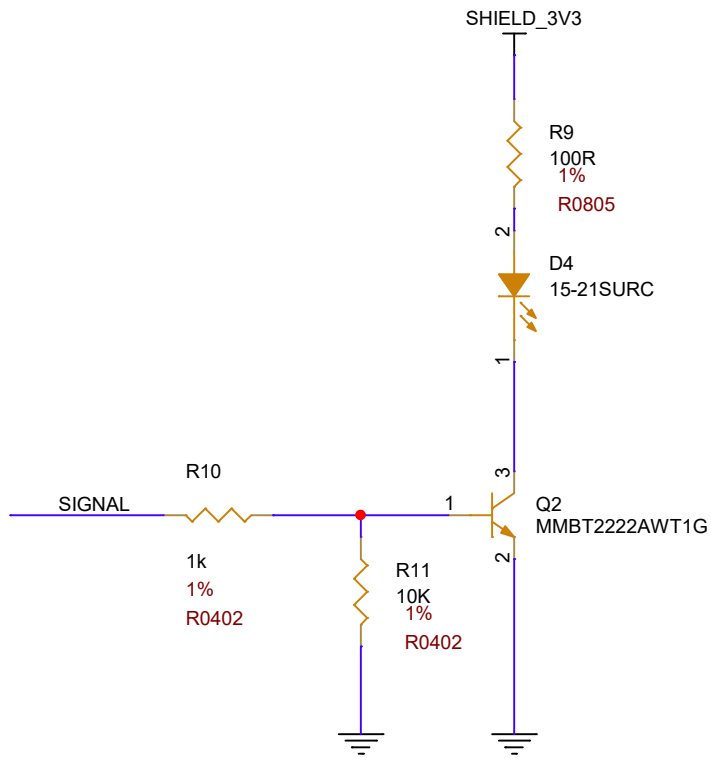


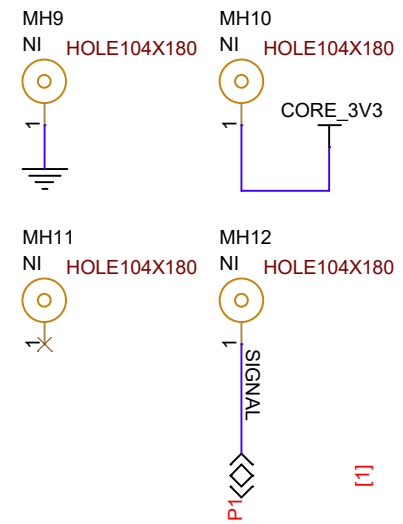
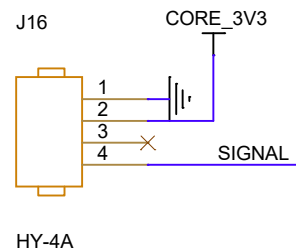
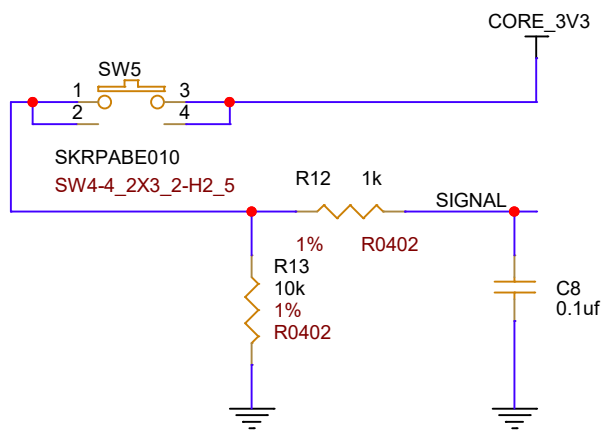
ESP32-C3-MINI-1(pin-out)



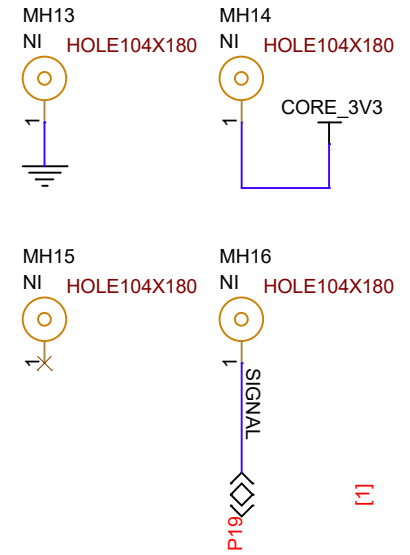
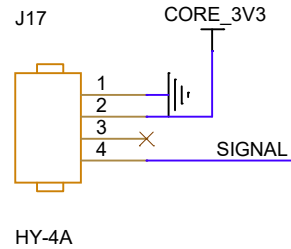
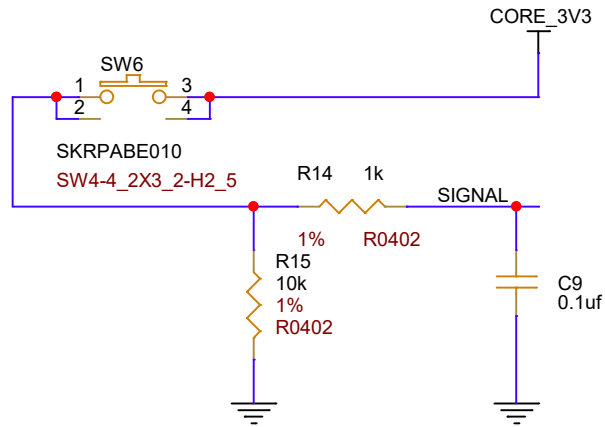
<b>Mad</b>	<a href="http://www.madmachine.io">www.madmachine.io</a>		
	Title:	SwiftIO Circuit Playgrounds	Rev: v0.1
	Size: A3	Page Name: 01 SHIELD	Sheet: 1 of 14
	Draw By: Andy Liu	Date: Thursday, March 09, 2023	




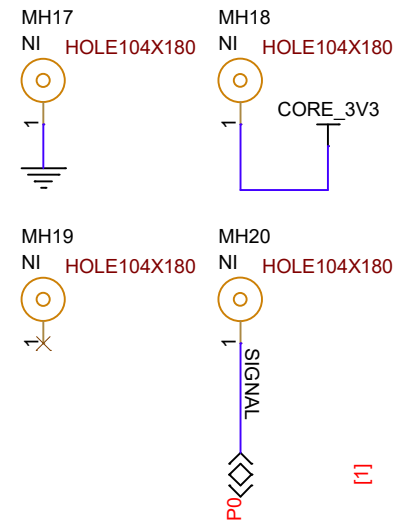
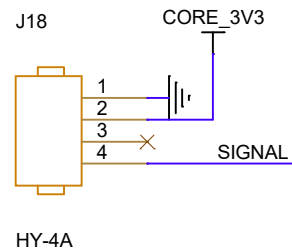
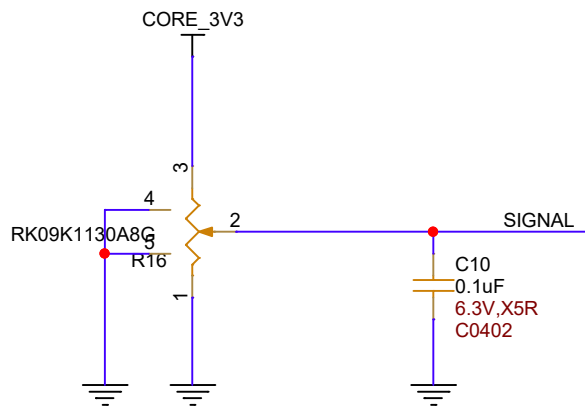
	<b>www.madmachine.io</b>	
	<b>Title: SwiftIO Circuit Playgrounds</b>	
	<b>Rev: v0.1</b>	
	<b>Size: A</b>	<b>Page Name: 02 PWMLED</b>
<b>Draw By: Andy Liu</b>		<b>Date: Wednesday, March 08, 2023</b>




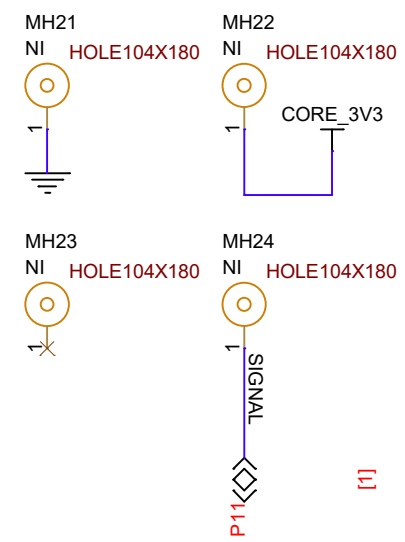
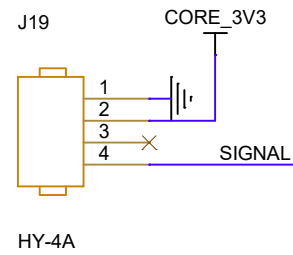
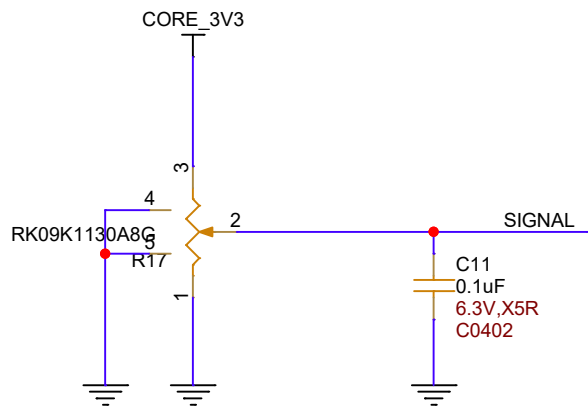
<a href="http://www.madmachine.io">www.madmachine.io</a>		
Title: <b>SwiftIO Circuit Playgrounds</b>		Rev: <b>v0.1</b>
Size: <b>A</b>	Page Name: <b>03 BUTTON1</b>	Sheet: <b>3 of 14</b>
Draw By: <b>Andy Liu</b>	Date: <b>Wednesday, March 08, 2023</b>	



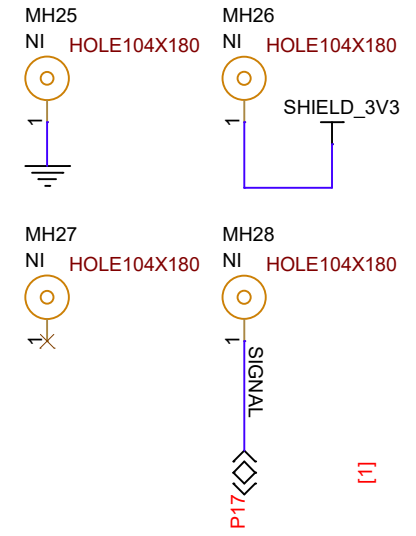
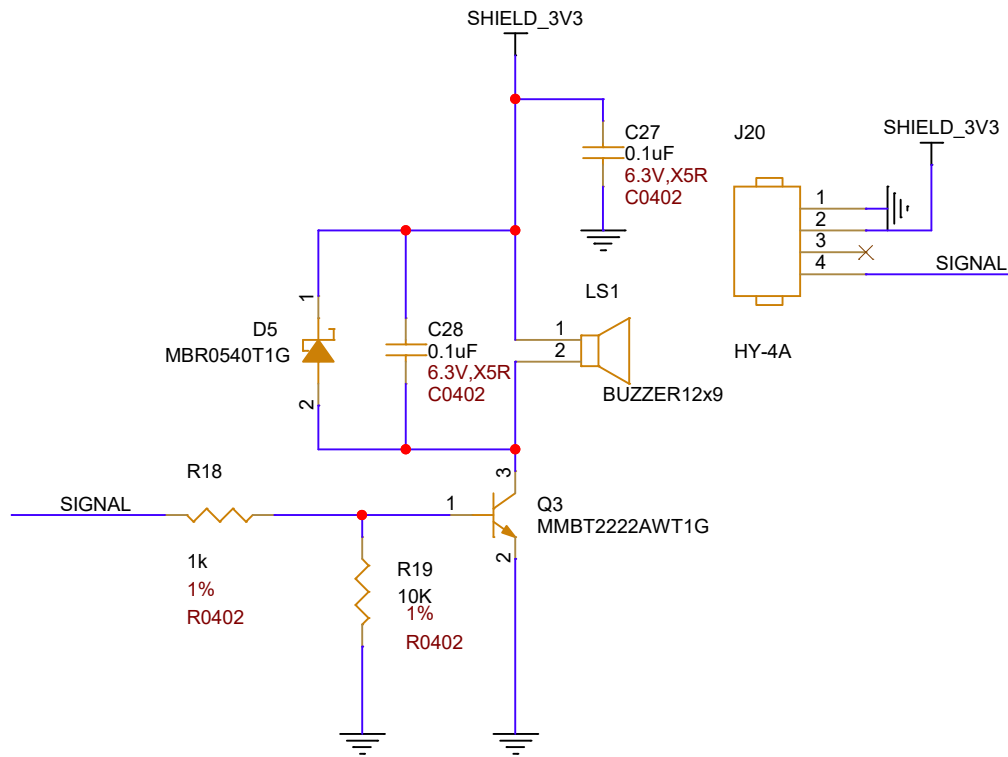
	<b>www.madmachine.io</b>		
	<b>SwiftIO Circuit Playgrounds</b>		
	Title: <b>SwiftIO Circuit Playgrounds</b> Size: <b>A</b>	Page Name: <b>04 BUTTON2</b> Draw By: <b>Andy Liu</b>	Rev: <b>v0.1</b> Sheet: <b>4 of 14</b> Date: <b>Wednesday, March 08, 2023</b>



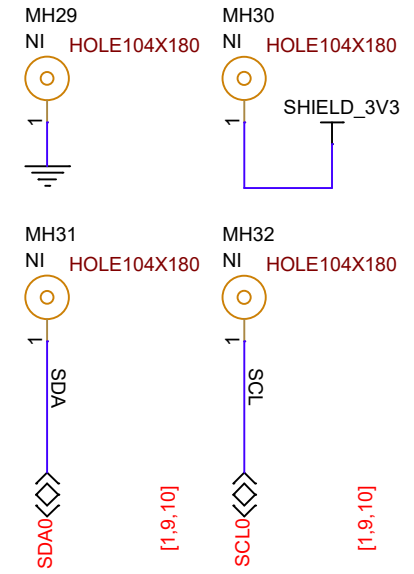
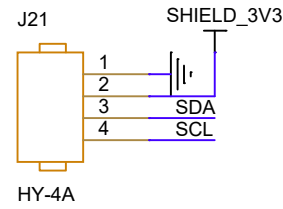
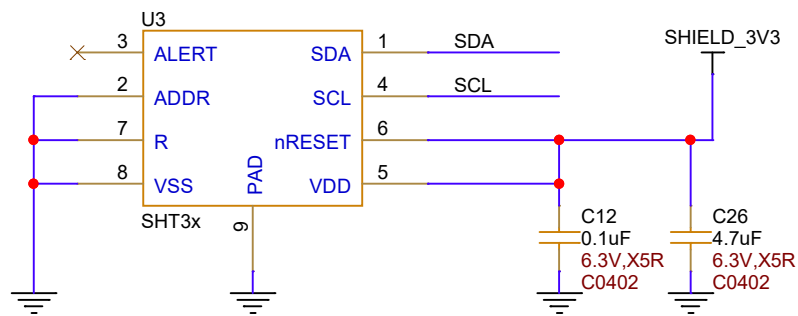
	<b>www.madmachine.io</b>	
	<b>Title: SwiftIO Circuit Playgrounds</b>	
	<b>Rev: v0.1</b>	
	<b>Size: A</b>	<b>Page Name: 05 KNOB1</b>
<b>Draw By: Andy Liu</b>		<b>Date: Wednesday, March 08, 2023</b>



<a href="http://www.madmachine.io">www.madmachine.io</a>		
Title: <b>SwiftIO Circuit Playgrounds</b>		Rev: <b>v0.1</b>
Size: <b>A</b>	Page Name: <b>06 KNOB2</b>	Sheet: <b>6 of 14</b>
Draw By: <b>Andy Liu</b>	Date: <b>Wednesday, March 08, 2023</b>	

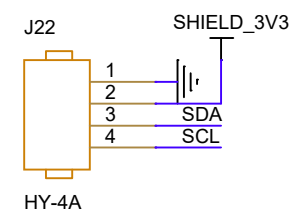
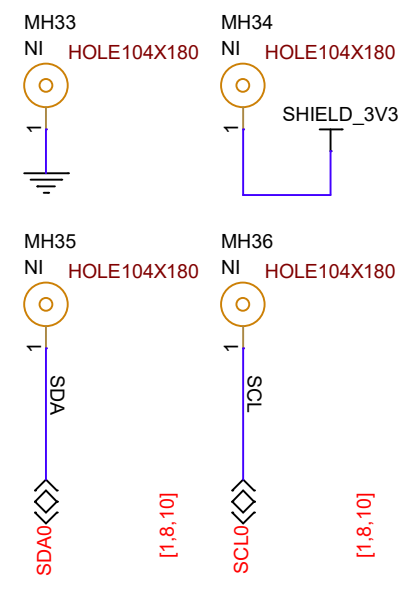
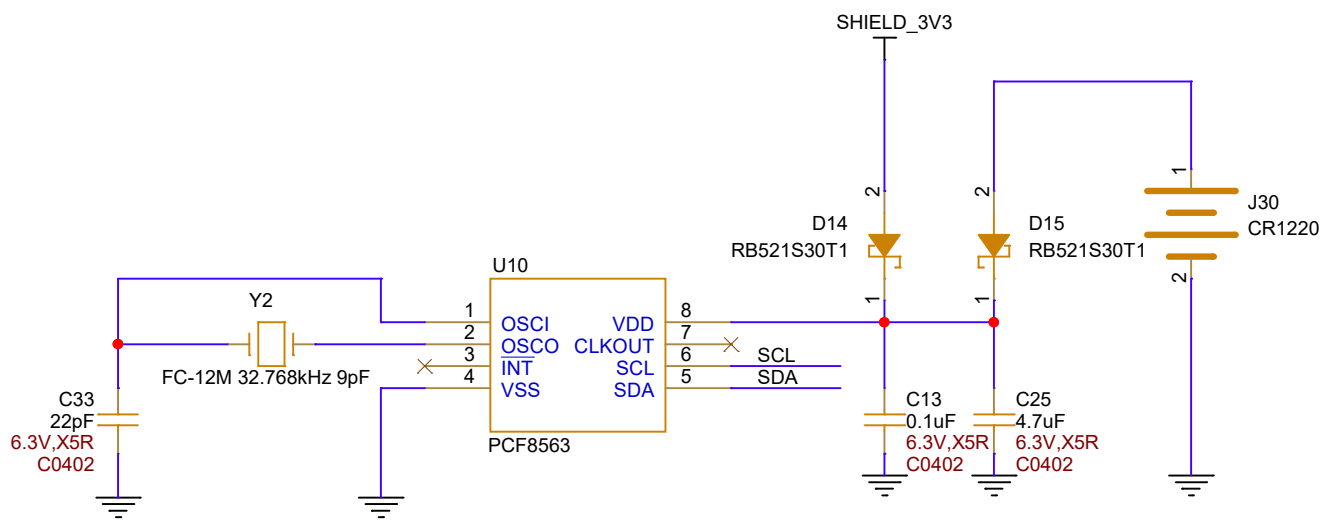


<a href="http://www.madmachine.io">www.madmachine.io</a>		
Title: <b>SwiftIO Circuit Playgrounds</b>		Rev: v0.1
Size: A	Page Name: <b>07 BUZZER</b>	Sheet: 7 of 14
Draw By: <b>Andy Liu</b>	Date: <b>Wednesday, March 08, 2023</b>	

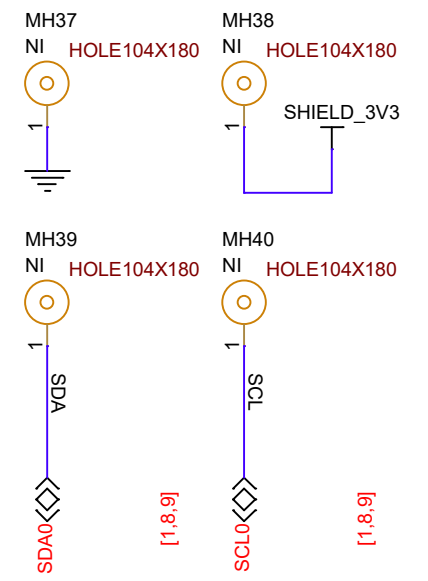
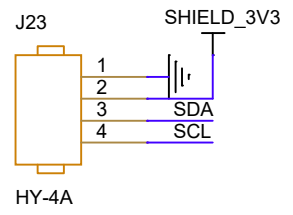
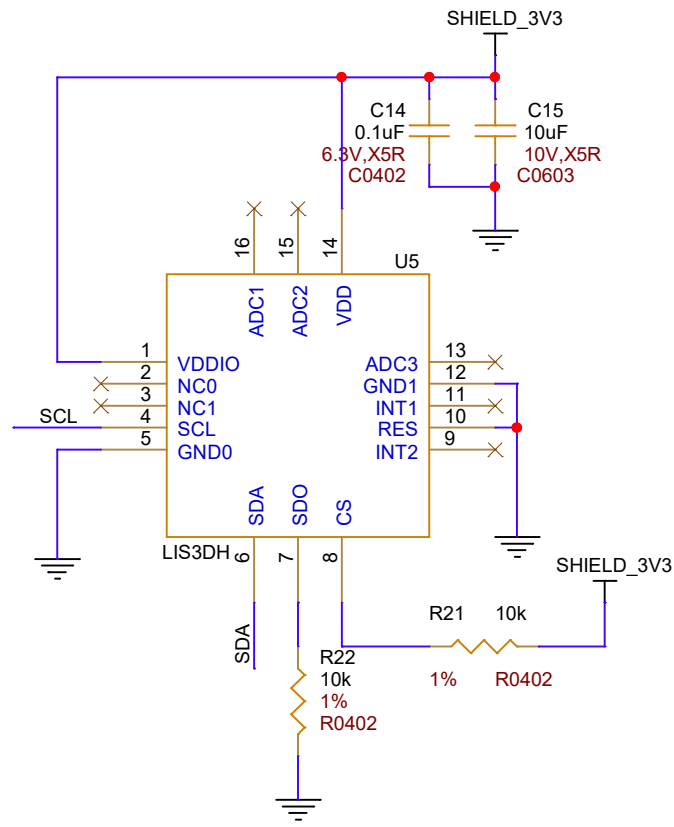


<a href="http://www.madmachine.io">www.madmachine.io</a>		
Title: <b>SwiftIO Circuit Playgrounds</b>		Rev: v0.1
Size: A	Page Name: <b>08 HUMITURE</b>	Sheet: 8 of 14
Draw By: <b>Andy Liu</b>	Date: <b>Wednesday, March 08, 2023</b>	

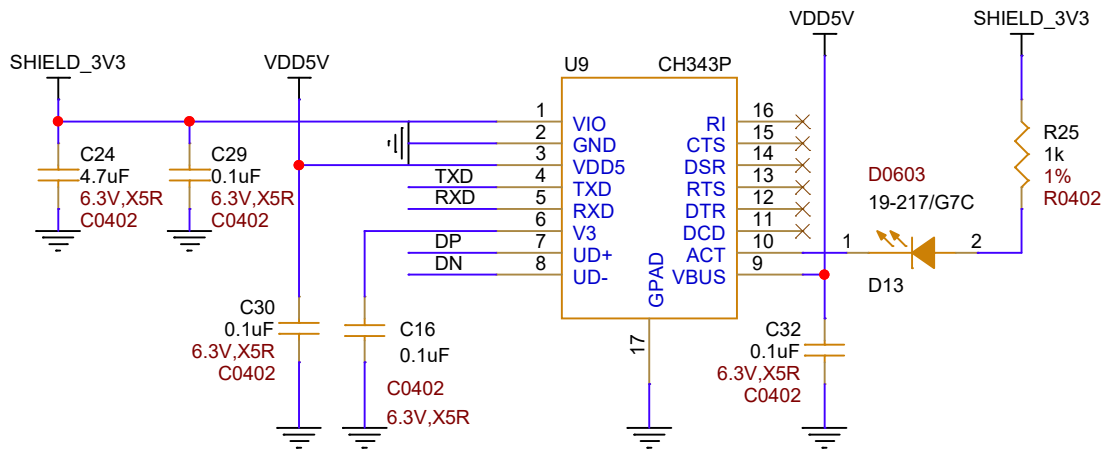
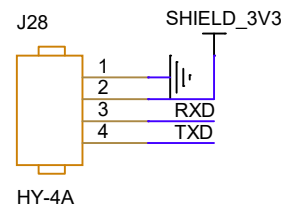
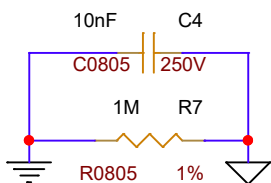
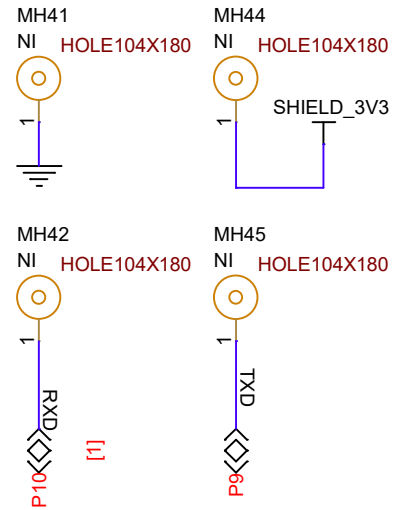
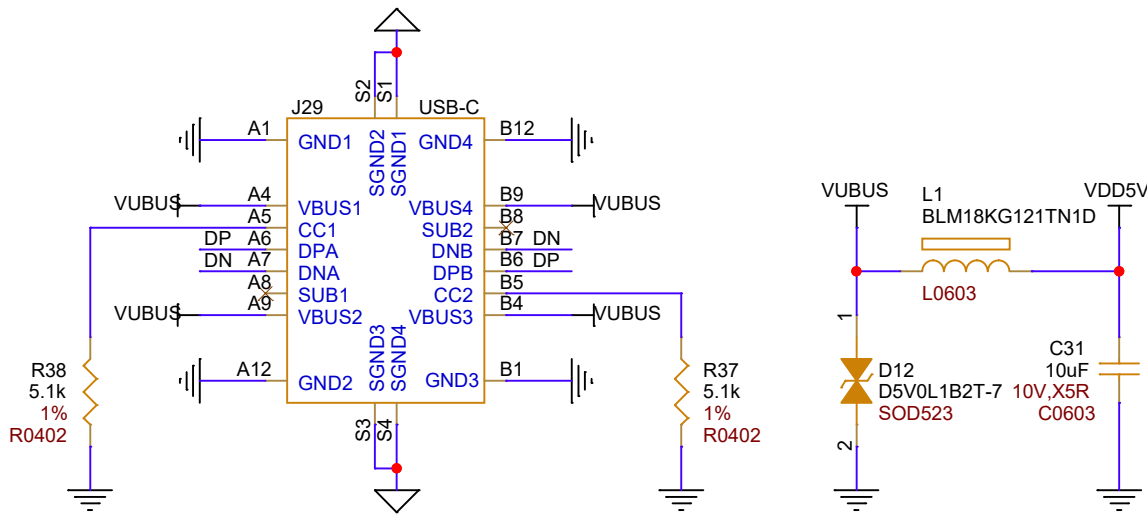




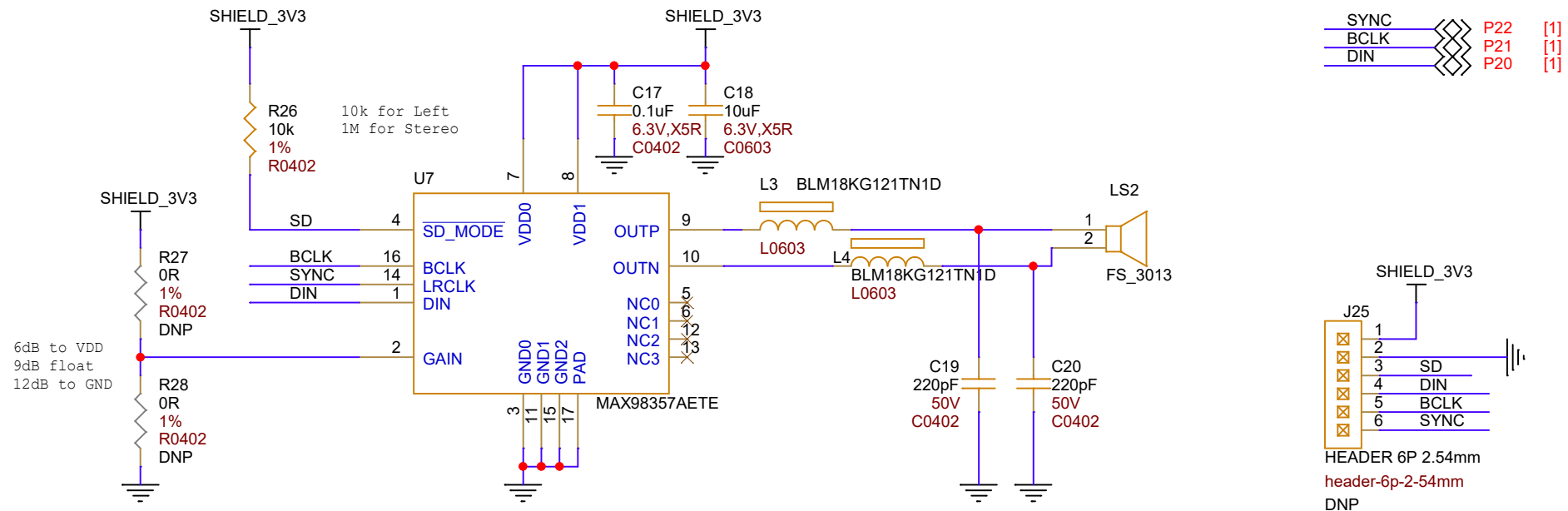
<a href="http://www.madmachine.io">www.madmachine.io</a>		
Title: <b>SwiftIO Circuit Playgrounds</b>		Rev: v0.1
Size: A	Page Name: 09 RTC	Sheet: 9 of 14
Draw By: Andy Liu	Date: Wednesday, March 08, 2023	



<a href="http://www.madmachine.io">www.madmachine.io</a>		
Title: <b>SwiftIO Circuit Playgrounds</b>		Rev: v0.1
Size: A	Page Name: 10 ACC	Sheet: 10 of 14
Draw By: Andy Liu	Date: Wednesday, March 08, 2023	

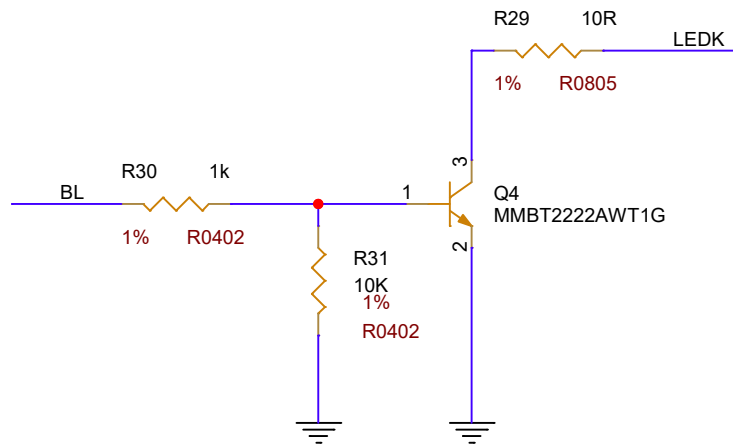
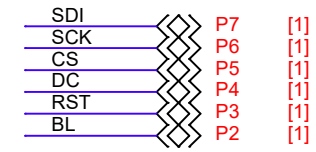
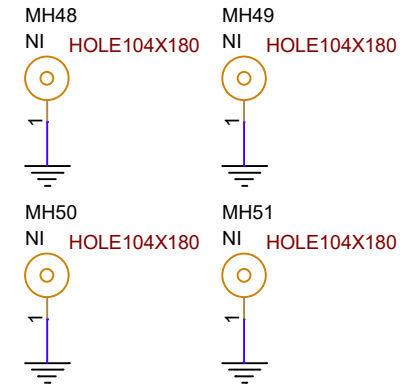
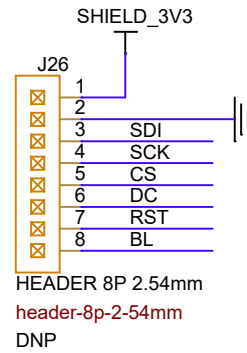
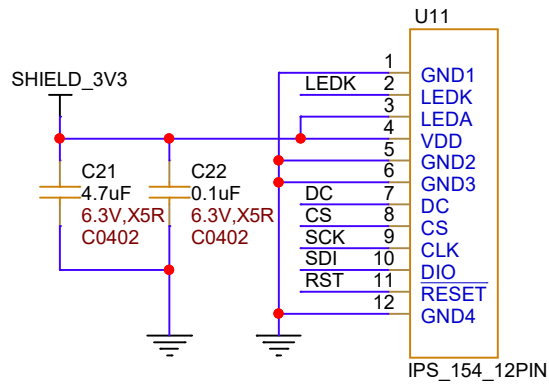


<a href="http://www.madmachine.io">www.madmachine.io</a>		
Title: <b>SwiftIO Circuit Playgrounds</b>		Rev: v0.1
Size: A	Page Name: 11 SERIAL	Sheet: 11 of 14
Draw By: Andy Liu	Date: Wednesday, March 08, 2023	



www.madmachine.io

Title: <b>SwiftIO Circuit Playgrounds</b>		Rev: v0.1
Size: A	Page Name: 12 SPEAKER	Sheet: 12 of 14
Draw By: Andy Liu	Date: Wednesday, March 08, 2023	



<a href="http://www.madmachine.io">www.madmachine.io</a>		
Title: <b>SwiftIO Circuit Playgrounds</b>		Rev: v0.1
Size: A	Page Name: 13 LCD	Sheet: 13 of 14
Draw By: Andy Liu	Date: Wednesday, March 08, 2023	

### Hole

MH52

NI HOLE104X180



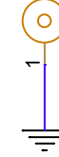
MH53

NI HOLE104X180



MH54

NI HOLE104X180



MH55

NI HOLE104X180



MH56

NI HOLE104X180



MH57

NI HOLE104X180



[www.madmachine.io](http://www.madmachine.io)

Title: <b>SwiftIO Circuit Playgrounds</b>		Rev: <b>v0.1</b>
Size: <b>A</b>	Page Name: <b>14 FRAME</b>	Sheet: <b>14 of 14</b>
Draw By: <b>Andy Liu</b>	Date: <b>Wednesday, March 08, 2023</b>	